

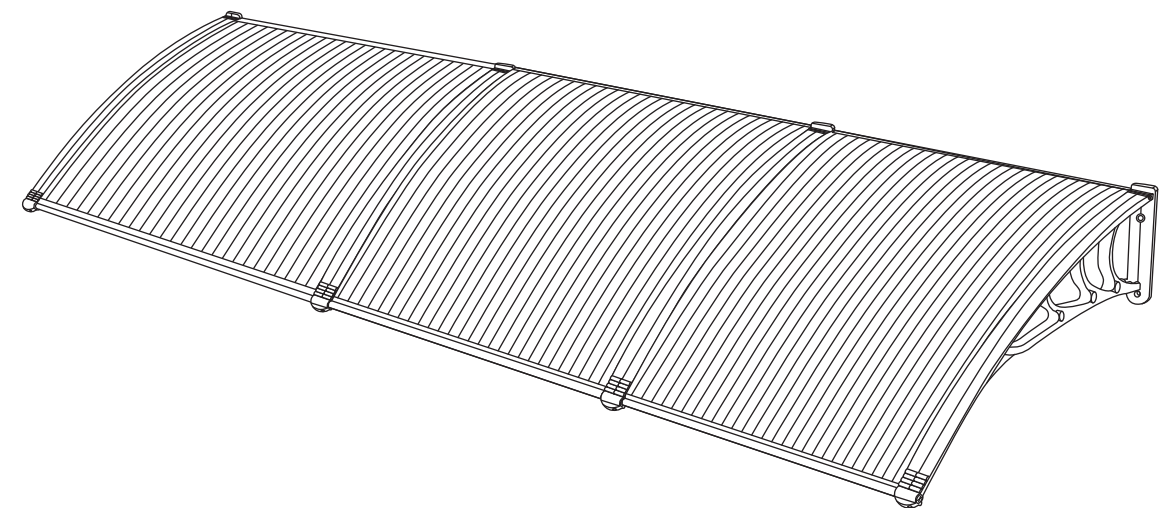
**NOTE:**

To continuously improve its products, VIVOHOME reserves the right to modify this information without prior notification.

For any questions regarding assembly, please watch the video on the product page or contact our customer service. Our customer service will gladly assist you with any additional questions, comments, or concerns.

Thank you for using VIVOHOME products in your home!

Thank You For Purchasing From  
VIVOHOME  
Made in China



# POLYCARBONATE WINDOW AND DOOR AWNING

## Assembly Instructions

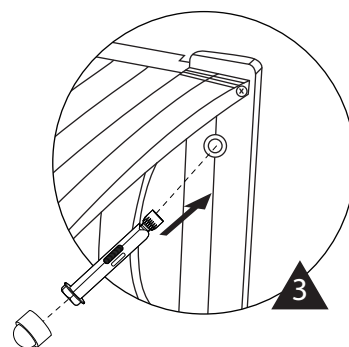
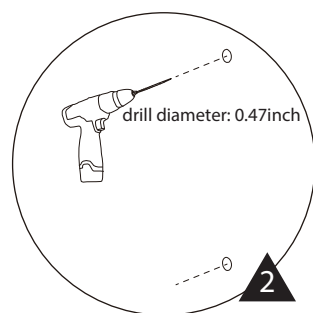
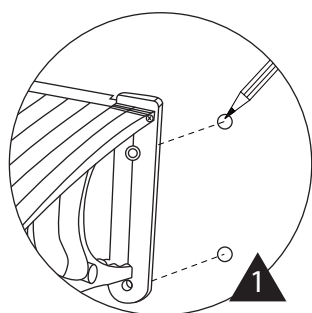
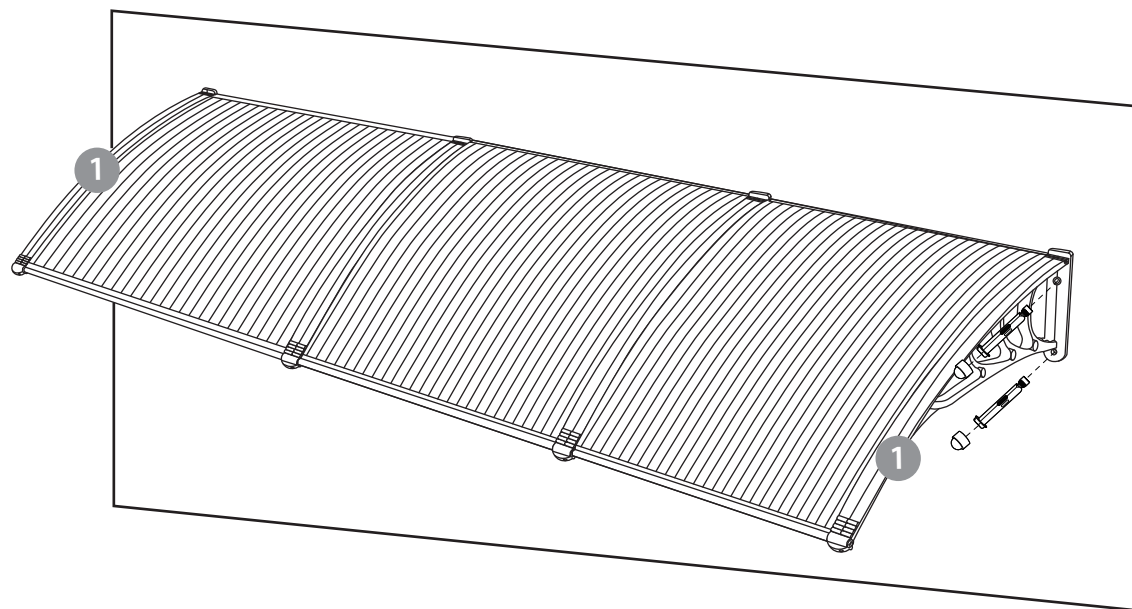


## Assembly Steps

### STEP 6

(A) x 8 pcs. (D) x 8 pcs.

Use a pencil to mark the positions to install the awning. Then, use an electric drill to drill 8 holes on the wall according to the marks. Insert Parts A (8 pcs.) and Parts D (8 pcs.) into the drilled holes to fix the awning onto the wall.



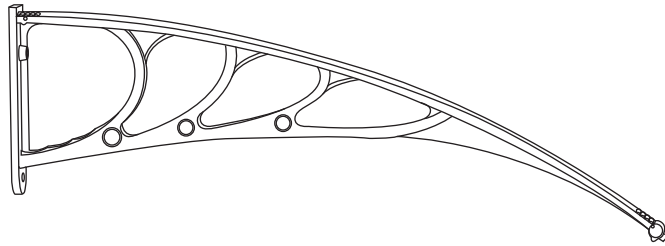
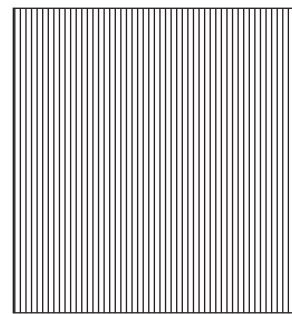
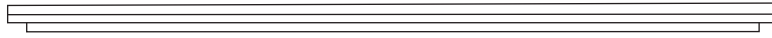
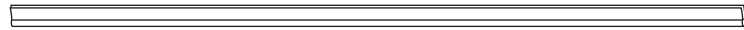
## Warning

- Children are not allowed to assemble the product. During assembly, keep all small parts out of the reach of children, as it may be fatal to swallow or inhale them.
- Children are forbidden to climb or play on the product. Climbing or playing on the product may result in serious bodily injuries.

## Note

- The product must be assembled and used in accordance with the provisions of the manual.
- Avoid long-term exposure to humid environments to prevent mildew.
- Keep the product away from fire sources and high temperatures. Do not expose the product to direct sunlight.
- Do not place any hot objects directly on the surface of the product.
- If there are any defective or missing parts after unpacking, please cease assembly immediately and contact us.
- Please assemble the item on a spacious surface; to avoid product damage, do not place the unwrapped product directly on the ground.
- Please do not stand or sit on the wooden boards.
- Please keep the product away from sharp, pointed objects and corrosive substances to prevent product damage.
- If the screws become loose, please tighten them as soon as possible to prevent the issue from persisting.

## Parts List and Diagram

Item no.	Reference Image	Qty.
<b>1</b>		x4
<b>2</b>		x3
<b>3</b>		x3
<b>4</b>		x3

## Assembly Steps

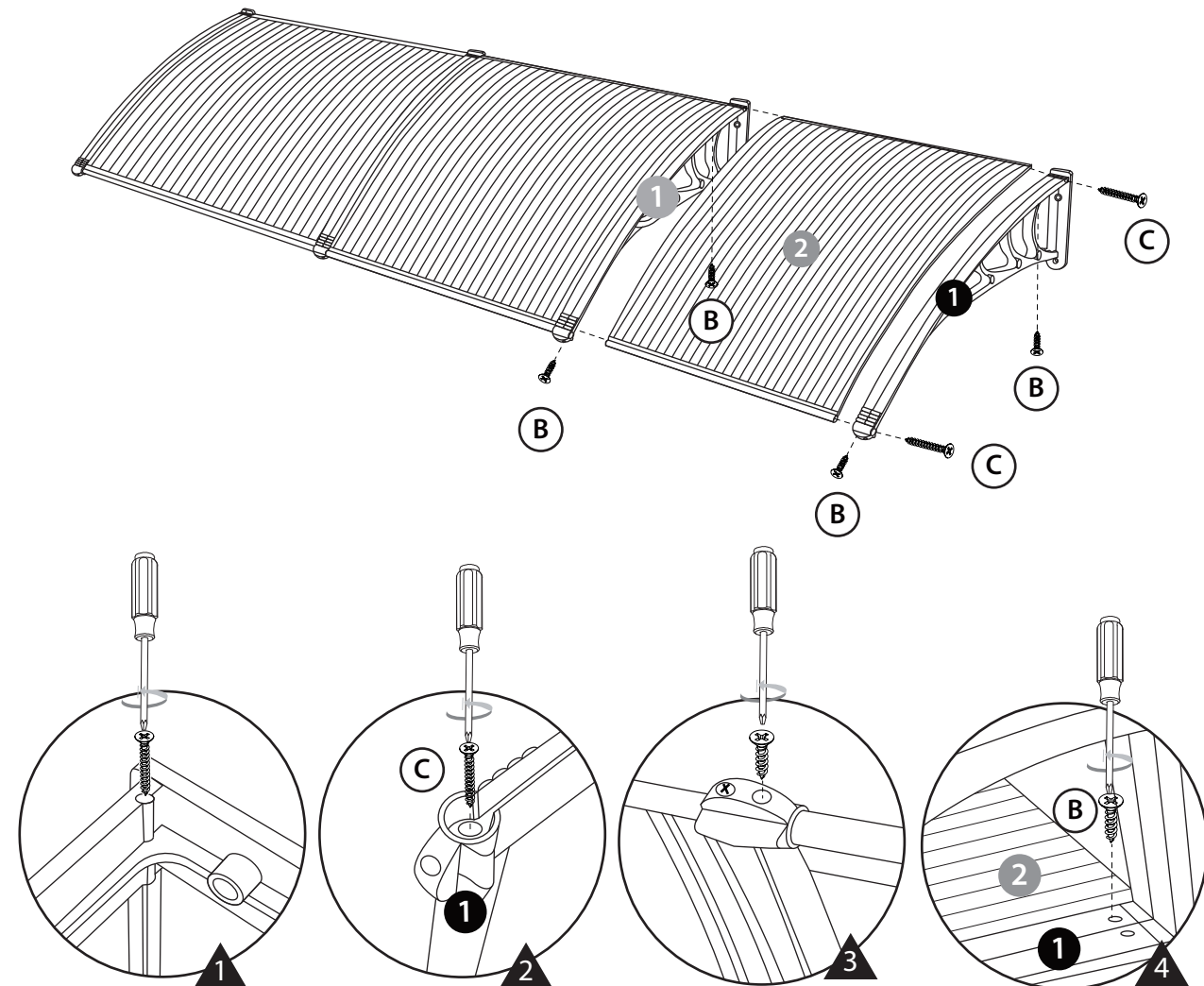
### STEP 6

**1** x 1 pc.

**B** x 4 pcs.

**C** x 2 pcs.

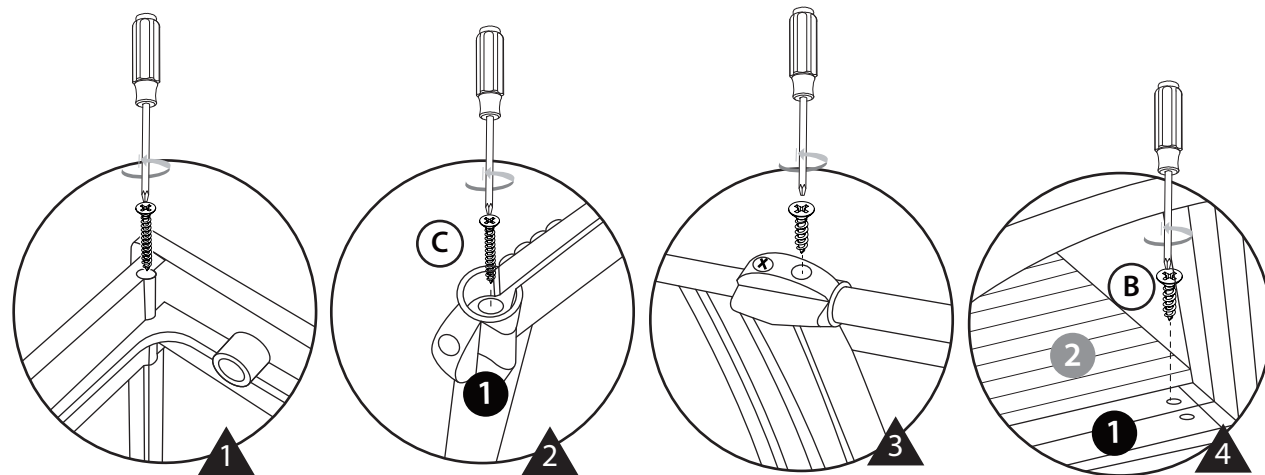
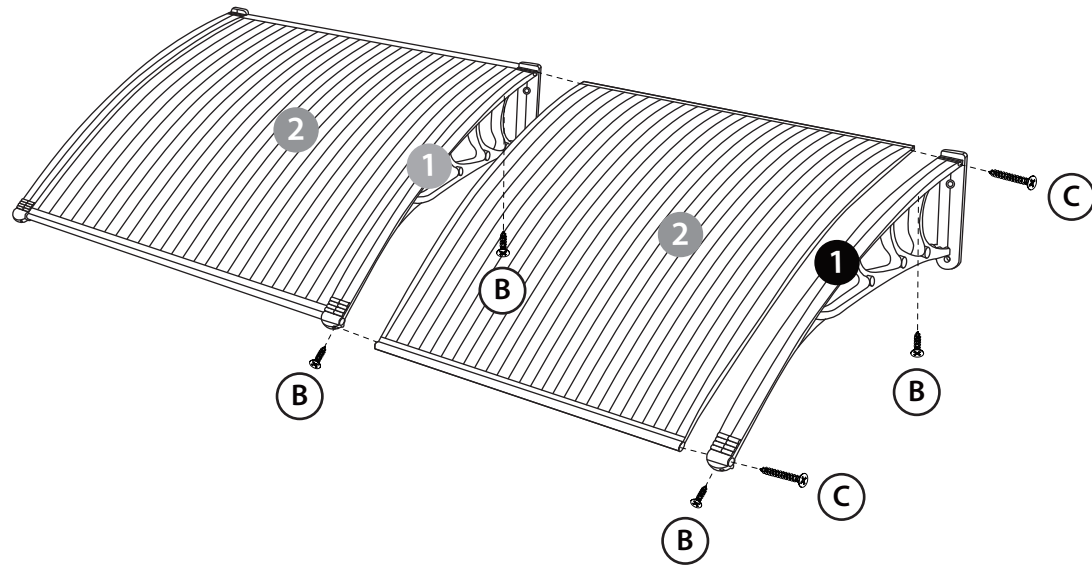
Use Screws B (2 pcs.) to connect the remaining Part 2 with the assembled section from Step 4, as shown in the figure. Then, use Screws B (2 pcs.) and Screws C (2 pcs.) to connect the remaining Part 1 with the main body, as shown in the figure.



## Assembly Steps

**STEP 5**    ① x 1 pc.    ② x 4 pcs.    ③ x 2 pcs.

Use Screws B (2 pcs.) to connect another Part 2 with the assembled section from Step 3, as shown in the figure. Then, use Screws B (2 pcs.) and Screws C (2 pcs.) to connect another Part 1 with the main body, as shown in the figure.



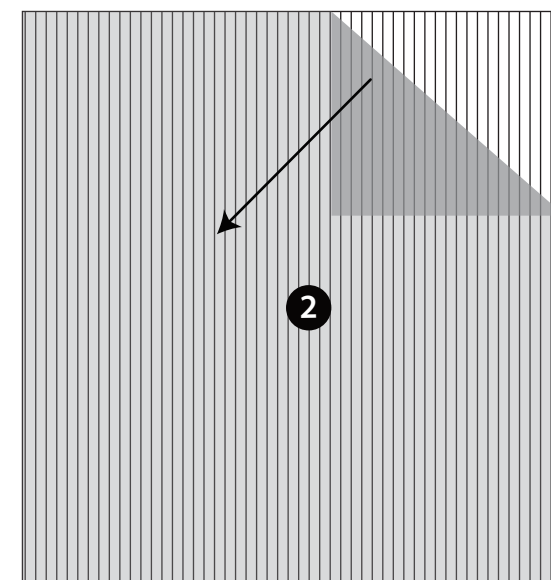
## Parts List and Diagram

Item no.	Reference Image	Qty.	Item no.	Reference Image	Qty.
④	2.76*0.4 in. (L*W)	x8	⑤	0.6*0.12 in. (L*W)	x12
⑥	1.4*0.16 in. (L*W)	x8	⑦		x8

## Assembly Steps

**STEP 1**    ⑧ x 3 pcs.

Take out 3 of accessory 2 and tear off the protective film.

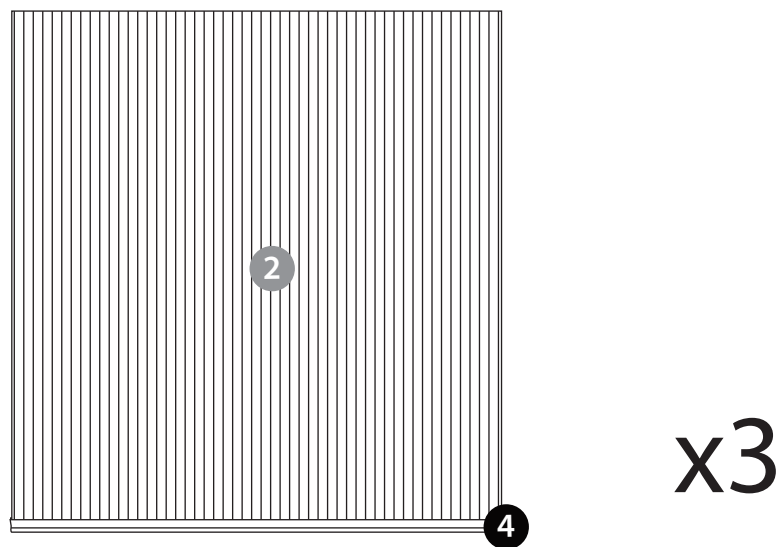


x3

## Assembly Steps

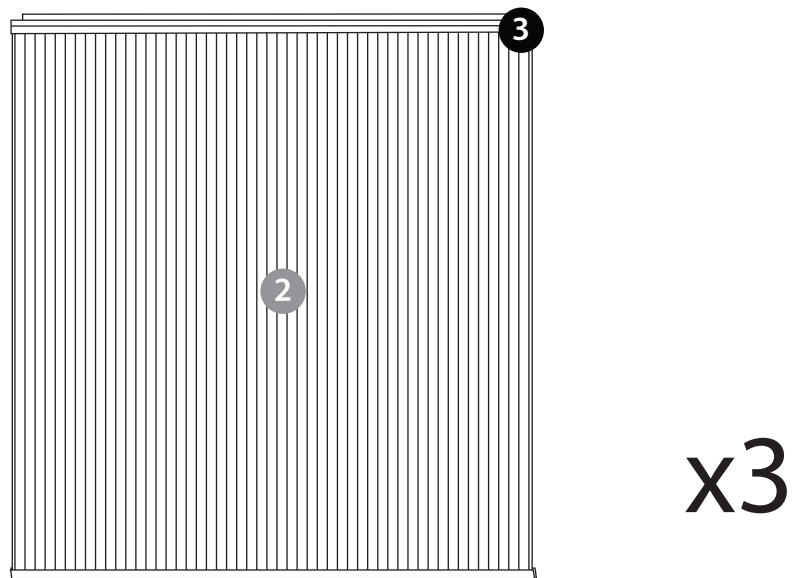
### STEP 2 **4** x 3 pcs.

Connect Part 2 with Part 4, as shown in the figure. Repeat this step two more times to make three identical structures.



### STEP 3 **3** x 3 pcs.

Connect Part 2 with Part 3, as shown in the figure. Repeat this step two more times to make three identical structures.



## Assembly Steps

### STEP 4 **1** x 2 pcs. **B** x 4 pcs. **C** x 4 pcs.

Use Screws B (4 pcs.) and Screws C (4 pcs.) to connect Parts 1 (2 pcs.) with one of the Parts 2, as shown in the figure.

